

300°C Pressure and Temperature SAGD Downhole Monitoring Tool

RS485 Pressure and Temperature Output

PERMANENT DOWNHOLE GAUGE

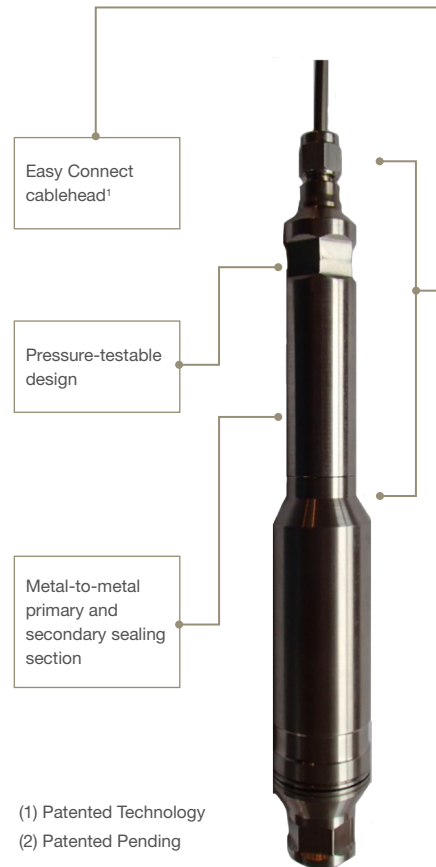
DESIGNED TO RELIABLY MEASURE LONG TERM PRESSURE AND TEMPERATURE IN HIGH TEMPERATURE WELLBORES.

FEATURES

- » Patented integrated Easy Connect cablehead system.⁽¹⁾ Metal to metal sealing design with dual sealing pressure testable design.
- » Stainless Steel 316L construction ensures that gauge can be deployed in hostile environments.
- » Leak proof engineering. Gauge body and sensor body are e-beam welded shut.
- » Designed to endure vibration and shock associated with various artificial lift systems including metal to metal PCP's.

SAGD REAL TIME DATA APPLICATIONS

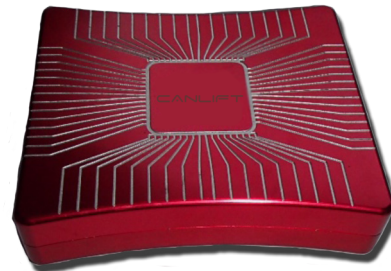
- Pump Intake Pressure and Temperature
- Steam Chamber Evaluation
- Progressive Cavity Pump Optimization
- Electric Submersible Pump Optimization



(1) Patented Technology
(2) Patented Pending

SURFACE ELECTRONICS DOWNHOLE GAUGE CONTROLLER⁽²⁾

- » RS485 Modbus Output
- » CLASS 1 DIV 2 Certified
- » DINRAIL Mountable
- » Easily connectable to PLC's, Data Loggers, SCADA and DCS Systems
- » 12-24 Volt DC Power Supply required
- » Temperature Rating -40°C to +85°C



One-Stop Manufacturing

Surface Electronics

Wellhead Pressure Control

Cable Protectors

Downhole Cables (TEC)

Downhole Gauges

Accessories



CANLIFT
TECHNOLOGIES

In CANADA call 1-855-484-5438

Source the Complete System

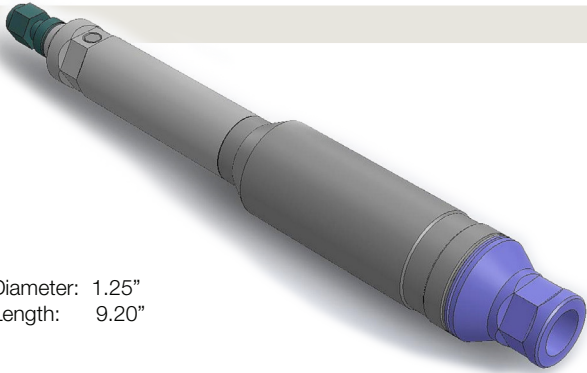
- ▲ Reliability
- ▲ Value
- ▼ Cost

300°C Pressure and Temperature SAGD Downhole Monitoring Tool

RS485 Pressure and Temperature Output

TECHNICAL SPECIFICATIONS

FEATURE	
Output	Modbus RTU
Input Voltage:	12 to 24 Volts DC at 50 mA
Available Pressure Ranges:	1,000 1,500 2,000 5,000 10,000 15,000 20,000 psiA
Operating Range:	-40°C to +300°C
Vibration and Shock Resiliency:	Excellent
Pressure Accuracy:	±1% Full Scale
Temperature Accuracy:	±1°C
Compatible TEC Cable	Stainless Steel or Inconel Quadline.
Outside Diameter	1.25"
Overall Length	9.20" including pressure testable cablehead
Process Connection:	HF4 (0.25" Female Autoclave)



Diameter: 1.25"
Length: 9.20"

ORDERING INFORMATION

Pressure Rating	Part #
1,000 psi	102470
1,500 psi	102471
2,000 psi	102472
5,000 psi	101709
10,000 psi	102454
15,000 psi	102455
20,000 psi	102456
Accessories	Part #
300°C Downhole Gauge Controller	103015



One-Stop Manufacturing

Surface Electronics

Wellhead Pressure Control

Cable Protectors

Downhole Cables (TEC)

Downhole Gauges

Accessories



Be Positioned for Success

INTERNATIONAL



CANLIFT
TECHNOLOGIES

In CANADA call 1-855-484-5438